

PARTS LIST

BRUSHCUTTERS

BC2604DL
BC2604DW

NOTE :

1. Use KOMATSU ZENOAH genuine parts as specified in the parts list for repair and/or replacement.
2. KOMATSU ZENOAH does not warrant the machines, which have been damaged by the use of any parts other than those specified by the company.
3. When placing parts orders for repair and/or replacement, check if the model name and the serial number are applicable to those specified in the parts list, then use parts number described in the parts list.
4. The contents described in the parts list are accurate as of the date and may change due to improvement.
5. The parts for the machine shall be supplied ten (10) years after the machine is discontinued. [It is possible that some specific parts may be subject to change of their delivery term and list price within the limit of ten (10) years after the machine is discontinued. It is also possible that some parts may be available even after the limit of ten (10) years.]

APPLICABLE SERIAL NUMBERS:

50100101 and up

May 2005

Fig.1 CUTTER GROUP

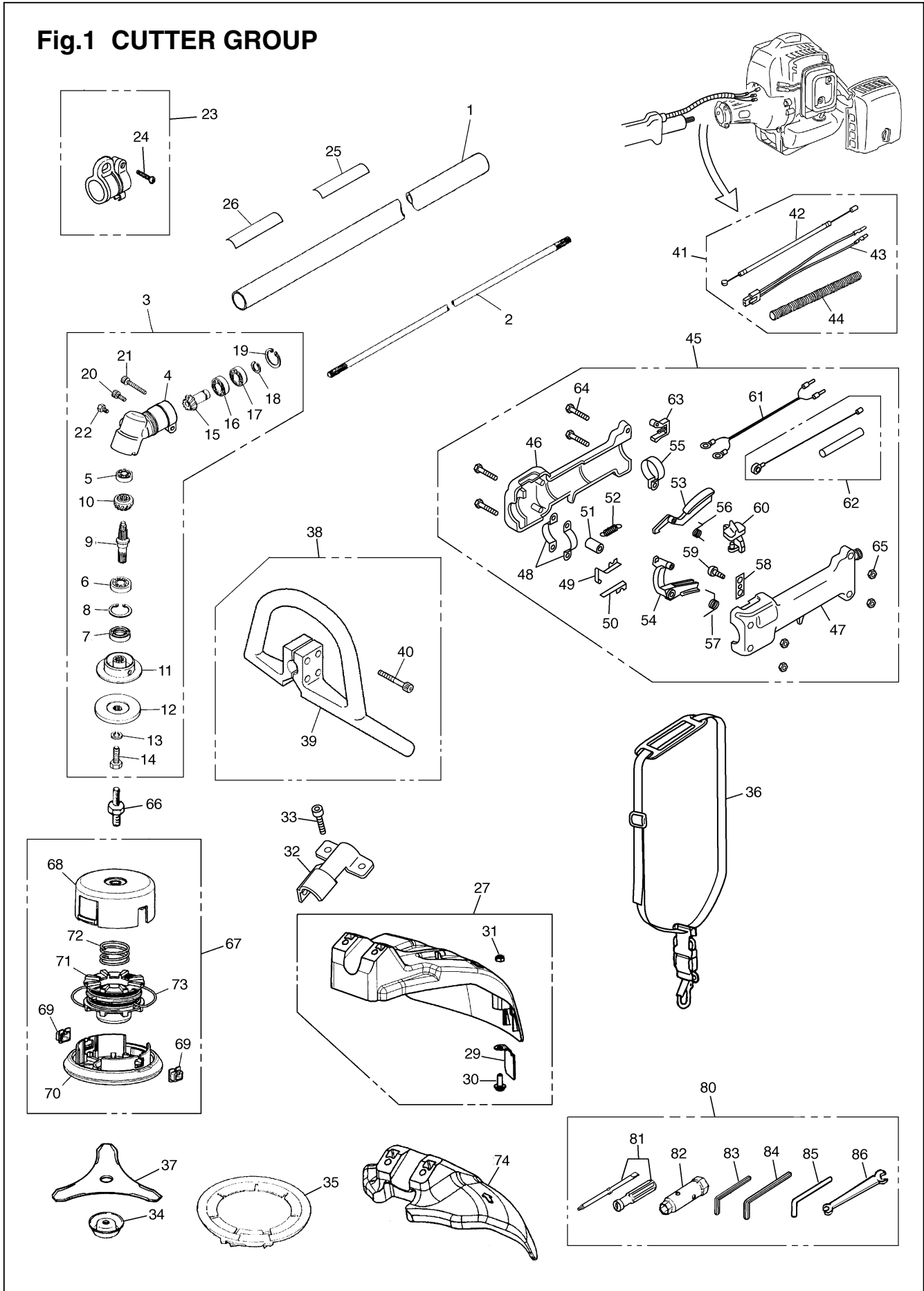


Fig.1 CUTTER GROUP

Key#	PART NUMBER	DESCRIPTION	Q'TY /UNIT	NOTE	Key#	PART NUMBER	DESCRIPTION	Q'TY /UNIT	NOTE
1	848B5F5821	PIPE COMP., 1500x24xT1.5	1		53	K2300-000260	• SAFETY LEVER	1	
2	3520-12213	SHAFT, spline ϕ 7x7teeth	1	1536x7	54	K2300-000250	• THROTTLE LEVER	1	
3	848JA06100	GEARCASE ASSY	1		55	K3200-000380	• CLAMP (B)	1	
4	6440-13122	• GEARCASE	1		56	K5100-000230	• SPRING	1	
5	06000-00626	• BEARING	1		57	K5100-000210	• SPRING	1	
6	06000-06000	• BEARING	1		58	K2300-000270	• PLATE	1	
7	3565-13130	• SEAL	1		59	B1122-C2910H	• SCREW	1	
8	04065-02612	• RING	1		60	K2300-000280	• SWITCH	1	
9	6440-13211	• SHAFT	1		61	K5200-000090	• CORD	1	
10	6440-13220	• GEAR	1		62	K5100-000270	• CABLE COMP.	1	
11	6440-13242	• HOLDER (A)	1		63	K2300-000390	• LID	1	
12	6019-13250	• HOLDER (B)	1		64	B1176-090530	• SCREW	4	
13	3560-13290	• WASHER	1		65	B1181-04054506	• NUT	4	
14	3560-13261	• BOLT	1	M7x25(L)	66	6041-99240	SHAFT	1	
15	T3002-13310	• PINION	1		67	T3189-15102	TAP HEAD COMP.	1	
16	06000-00609	• BEARING	1		68	T3189-15112	• CASE	1	
17	06001-00609	• BEARING	1		69	T3189-15191	• EYELET	2	
18	T3300-13330	• RING	1		70	T3189-15132	• COVER	1	
19	04065-02412	• RING	1		71	T3189-15142	• CORD HOLDER	1	
20	01252-30512	• BOLT	1		72	T3189-15160	• SPRING	1	
21	3350-21320	• BOLT	1	M5x30	73	T3189-15180	• CORD	1	
22	0224-40610	• BOLT	1		74	T3246-24110	GUARD	1	
23	T3300-17202	HANGER COMP.	1		80	3532-91000	TOOL-SET	1	
24	0263-90520	• SCREW	1		81	1030-91340	• DRIVER	1	
25	848JB590R0	PLATE NAME	1		82	3239-91310	• SOCKET	1	
26	6425-12552	PLATE CAUTION	1		83	09007-00425	• WRENCH	1	
27	T3245-24100	GUARD COMP.	1		84	09007-00528	• WRENCH	1	
29	T3002-24121	• BLADE	1		85	3540-91110	• BAR	1	
30	T4960-51431	• SCREW TORX	2		86	3540-91120	• SPANNER	1	
31	3320-15310	• NUT	2						
32	848JC066C1	BRACKET	1						
33	01252-30630	BOLT	2						
34	3560-13284	COVER (BOLT)	1						
35	6251-15910	COVER (BLADE)	1						
36	T3300-17100	STRAP ASSY	1						
37	6298-E3390	BLADE	1						
38	T3110-14000	HANDLE ASSY	1						
39	T3110-14110	• HANDLE	1						
40	0263-90530	• SCREW	4						
41	5548-83000	CABLE ASSY	1						
42	5548-83100	• CABLE COMP.	1						
43	5548-73200	• CORD COMP.	1						
44	5548-73310	• TUBE	1						
45	T3110-18000	GRIP ASSY	1						
46	K2300-000240	• GRIP (R)	1						
47	K2300-000230	• GRIP (L)	1						
48	K3200-000370	• CLAMP (A)	1						
49	K3300-000010	• PLATE (A)	1						
50	K3300-000020	• PLATE (B)	1						
51	K5100-000240	• COLLAR	1						
52	K5100-000220	• SPRING	1						

Fig.2 CUTTER GROUP

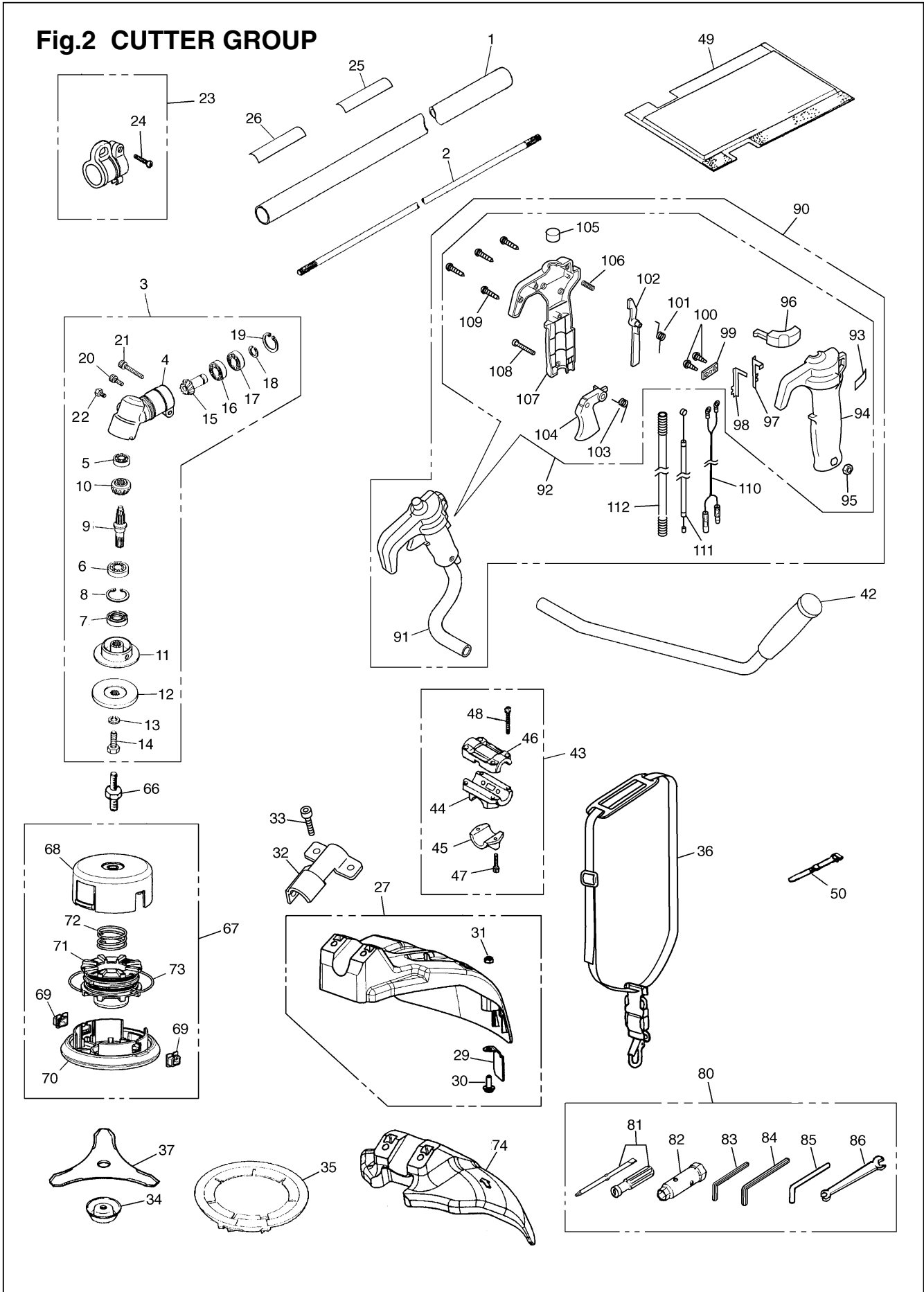


Fig.2 CUTTER GROUP

Key#	PART NUMBER	DESCRIPTION	Q'TY /UNIT	NOTE	Key#	PART NUMBER	DESCRIPTION	Q'TY /UNIT	NOTE
1	848B5F5821	PIPE COMP., 1500x24xT1.5	1		70	T3189-15132	• COVER	1	
2	3520-12213	SHAFT, spline ϕ 7x7teeth	1	1536x7	71	T3189-15142	• CORD HOLDER	1	
3	848JA06100	GEARCASE ASSY	1		72	T3189-15160	• SPRING	1	
4	6440-13122	• GEARCASE	1		73	T3189-15180	• CORD	1	
5	06000-00626	• BEARING	1		74	T3246-24110	GUARD	1	
6	06000-06000	• BEARING	1		80	3532-91000	TOOL-SET	1	
7	3565-13130	• SEAL	1		81	1030-91340	• DRIVER	1	
8	04065-02612	• RING	1		82	3239-91310	• SOCKET	1	
9	6440-13211	• SHAFT	1		83	09007-00425	• WRENCH	1	
10	6440-13220	• GEAR	1		84	09007-00528	• WRENCH	1	
11	6440-13242	• HOLDER (A)	1		85	3540-91110	• BAR	1	
12	6019-13250	• HOLDER (B)	1		86	3540-91120	• SPANNER	1	
13	3560-13290	• WASHER	1		90	T3111-14100	HANDLE-R ASSY	1	
14	3560-13261	• BOLT	1	M7x25(L)	91	T3111-14110	• HANDLE-R	1	
15	T3002-13310	• PINION	1		92	K6010-000550	• GRIP&LEV COMP.	1	
16	06000-00609	• BEARING	1		93	K2200-000040	• LABEL	1	
17	06001-00609	• BEARING	1		94	K2300-000050	• GRIP (L)	1	
18	T3300-13330	• RING	1		95	B1181-040545	• NUT	1	
19	04065-02412	• RING	1		96	K2300-000080	• SWITCH	1	
20	01252-30512	• BOLT	1		97	K5100-000030	• SPRING	1	
21	3350-21320	• BOLT	1	M5x30	98	K5100-000040	• SPRING	1	
22	0224-40610	• BOLT	1		99	K2300-000090	• HOLDER	1	
23	T3300-17202	HANGER COMP.	1		100	B1122-C2910H	• SCREW, tapping	2	M3x10
24	0263-90520	• SCREW	1		101	K5100-000020	• SPRING	1	
25	848JB490R0	PLATE NAME	1		102	K2300-000070	• LEVER	1	
26	6425-12552	PLATE CAUTION	1		103	K5100-000010	• SPRING	1	
27	T3245-24100	GUARD COMP.	1		104	K2300-000060	• LEVER	1	
29	T3002-24121	• BLADE	1		105	K1300-000060	• PLUG	1	
30	T4960-51431	• SCREW TORX	2		106	K5100-000050	• SPRING	1	
31	3320-15310	• NUT	2		107	K2300-000040	• GRIP (R)	1	
32	848JC066C1	BRACKET	1		108	B1111-A0530H	• SCREW	1	M5x30
33	01252-30630	BOLT	2		109	B1122-C4220H	• SCREW, tapping	5	M4x20
34	3560-13284	COVER (BOLT)	1		110	K5200-000060	• CORD	1	
35	6251-15910	COVER (BLADE)	1		111	K5100-000130	• CABLE	1	
36	T3300-17100	STRAP ASSY	1		112	K5200-000080	• TUBE	1	
37	6298-E3390	BLADE	1						
42	T3111-14300	HANDLE-L COMP.	1						
43	3583-14101	BRACKET ASSY	1						
44	3583-14111	• BRACKET	1						
45	3583-14121	• CAP-L	1						
46	3257-14192	• CAP-U	1						
47	01252-30522	• BOLT	2						
48	01252-30525	• BOLT	4						
49	4050-17110	PROTECTOR	1						
50	3540-93120	BAND	1						
66	6041-99240	SHAFT	1						
67	T3189-15102	TAP HEAD COMP.	1						
68	T3189-15112	• CASE	1						
69	T3189-15191	• EYELET	2						

Fig.3 ENGINE GROUP

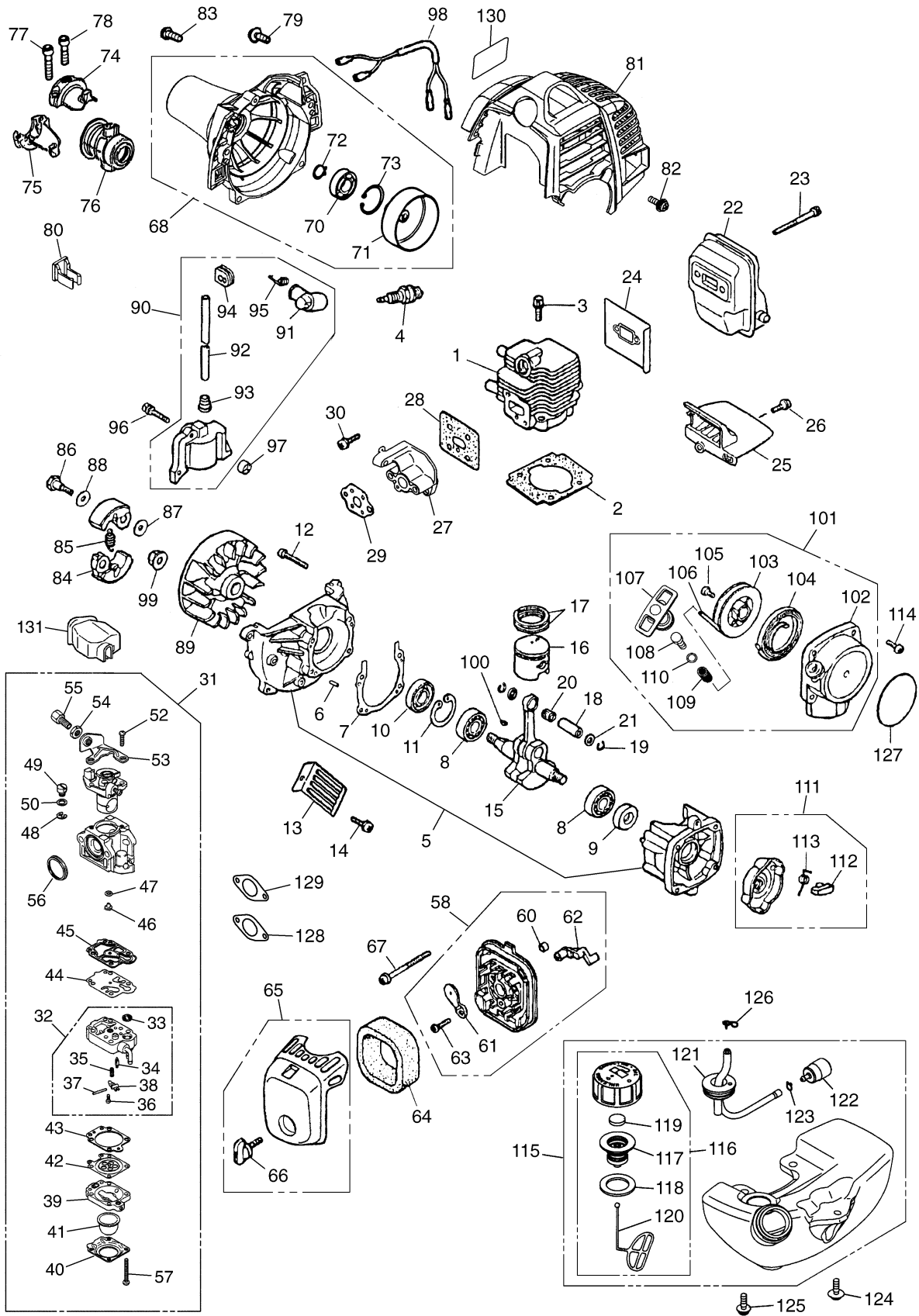


Fig.3 ENGINE GROUP

Key#	PART NUMBER	DESCRIPTION	Q'TY /UNIT	NOTE	Key#	PART NUMBER	DESCRIPTION	Q'TY /UNIT	NOTE
1	848EFS12A0	CYLINDER	1		68	T1702-31101	HOUSING ASSY	1	
2	5500-12213	GASKET, base	1		70	T1701-31150	• BEARING	1	
3	1850-12130	BOLT	2		71	848F3051A1	• DRUM	1	
4	3699-90332	PLUG, BPMR7A	1		72	04064-01210	• RING	1	
5	5500-21100	CRANKCASE COMP.	1		73	04065-02812	• RING	1	
6	2629-21130	• PIN	3		74	T1700-31212	BRACKET (A)	1	
7	5500-21141	GASKET	1		75	T1700-31221	BRACKET (B)	1	
8	06030-06001	BEARING	2		76	T1700-31232	CUSHION	1	
9	2169-21210	SEAL	1		77	01252-30522	BOLT	2	
10	1850-21220	SEAL	1		78	01252-30510	BOLT	1	
11	04065-02812	SNAP RING	1		79	0263-90520	SCREW	4	
12	01252-30530	BOLT	4		80	T1600-72210	CLAMP	1	
13	5500-22110	GUARD	1		81	T1700-32111	COVER, engine	1	
14	0263-90514	SCREW	1		82	T1700-32162	SCREW	1	
15	5500-42001	CRANKSHAFT COMP.	1		83	0263-90514	SCREW M5x14	1	
16	5910-41110	PISTON	1		84	T1700-51110	SHOE	2	
17	5910-41210	RING	2		85	T1700-51220	SPRING	1	
18	1600-41310	PIN	1		86	1140-51250	SCREW	2	
19	1260-41320	RING	2		87	1140-51230	WASHER	2	
20	5500-41410	BEARING	1		88	1970-51241	WASHER	2	
21	1101-41340	WASHER	2		89	T1700-71110	ROTOR	1	
22	T1700-15110	MUFFLER	1		90	T1700-71201	COIL ASSY	1	
23	01252-30550	BOLT	2		91	5500-72110	• CAP	1	
24	T1600-15210	GASKET	1		92	T1700-71220	• CORD	1	
25	5500-15221	PLATE	1		93	2616-71320	• CAP	1	
26	0263-90416	SCREW	1		94	5500-72130	• GROMMET	1	
27	T1700-13160	INSULATOR	1		95	5500-72120	• SPRING	1	
28	5500-13121	GASKET, insulator	1		96	3310-72150	BOLT	2	
29	5500-13131	GASKET, carburetor	1		97	T1700-71260	SPACER	2	
30	0263-90520	SCREW	2		98	T1700-73200	CORD COMP.	1	
31	848EFS8100	CARBURETOR ASSY	1	WYJ-290	99	1650-43230	NUT	1	
32	1850-81450	• BODY ASSY	1		100	1000-43240	KEY	1	
33	3306-81380	•• SCREEN	1		101	T1700-75100	RECOIL ASSY	1	
34	3356-81310	•• VALVE, inlet	1		102	5500-75110	• CASE COMP.	1	
35	1850-81270	•• SPRING	1		103	1850-75120	• REEL	1	
36	1850-81220	•• SCREW	1		104	1850-75130	• SPRING	1	
37	3310-81250	•• PIN	1		105	1850-75151	• SCREW	1	
38	3310-81230	•• LEVER	1		106	T1600-75160	• ROPE	1	
39	1850-81490	• BODY	1		107	T1600-75310	• KNOB	1	
40	1850-81520	• COVER, pump	1		108	T1600-75321	• COLLAR	1	
41	1751-81510	• PUMP, primer	1		109	T1600-75330	• SPRING	1	
42	4810-81260	• DIAPHRAM, metaling	1		110	T1600-75210	• WASHER	1	
43	1850-81470	• GASKET	1		111	1850-75201	PULLEYASSY	1	
44	1065-81420	• DIAPHRAGM, pump	1		112	1850-75221	• RATCHET	1	
45	4810-81410	• GASKET	1		113	1850-75230	• SPRING	1	
46	4810-81251	• JET	1	#39.5	114	T1700-32162	SCREW	4	
47	1751-81240	• O-RING	1		115	T1800-85001	TANK ASSY	1	
48	1751-81130	• RING	1		116	5607-85201	• CAP ASSY	1	
49	1881-81140	• SWIVEL	1		117	5601-85300	•• HOLDER ASSY	1	
50	5500-81160	• WASHER	1		118	5500-85220	•• PACKING	1	
52	1752-81110	• SCREW	2		119	5601-85260	•• FILTER	1	
53	5500-81120	• BRACKET	1		120	4820-85260	•• STOPPER	1	
54	1751-81180	• NUT	1		121	5500-85300	• PIPE COMP.	1	
55	1918-81170	• SCREW, adjust	1		122	5500-85400	• FILTER ASSY	1	
56	1881-81130	• RING	1		123	1260-85460	• CLIP	1	
57	1850-81530	• SCREW	4		124	5910-85510	SCREW	1	
58	T1700-82100	BODY ASSY	1		125	5500-85510	SCREW	2	
60	1970-82190	• SLEEVE	2		126	1950-86120	CLIP	1	
61	T1700-82130	• PLATE, choke	1		127	T1807-75410	LABEL, recoil	1	
62	T1700-82140	• LEVER, choke	1		128	T1825-82510	PLATE	1	
63	2630-33610	• SCREW	1		129	T1825-82520	GASKET	1	
64	5500-82171	ELEMENT	1		130	T1807-31130	LABEL	1	
65	T1701-82200	COVER ASSY	1		131	4500-81910	COVER	1	
66	5500-82221	• KNOB	1						
67	0263-90560	SCREW	2						



KOMATSU ZENOA CO.

1-9 Minamidai, Kawagoe, Saitama, 350-1192 Japan

PRINTED IN JAPAN

PRINTED ON RECYCLED PAPER
IMPRIMÉ SUR PAPIER RECYCLÉ
GEDRUCKT AUF RECYCLING PAPIER
STAMPATO SU CARTA RICICLATA
IMPRESO EN PAPEL RECICLADO